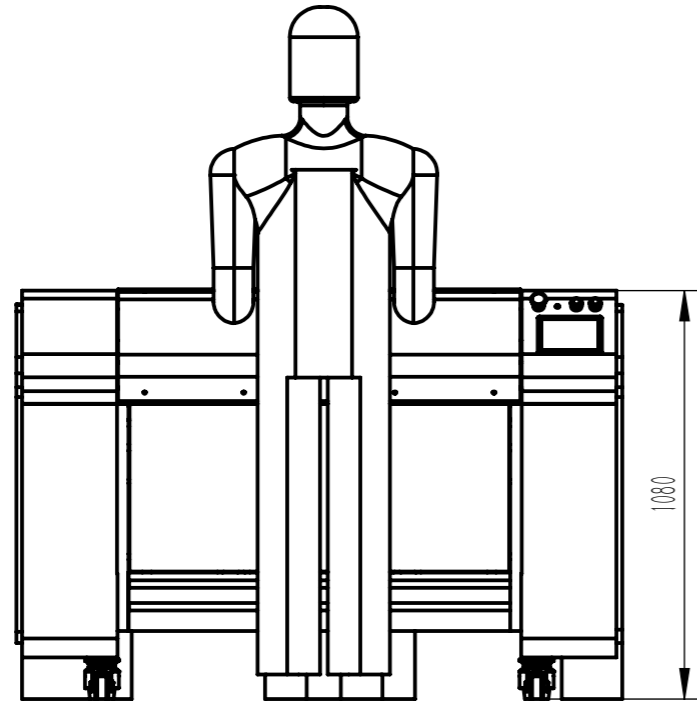
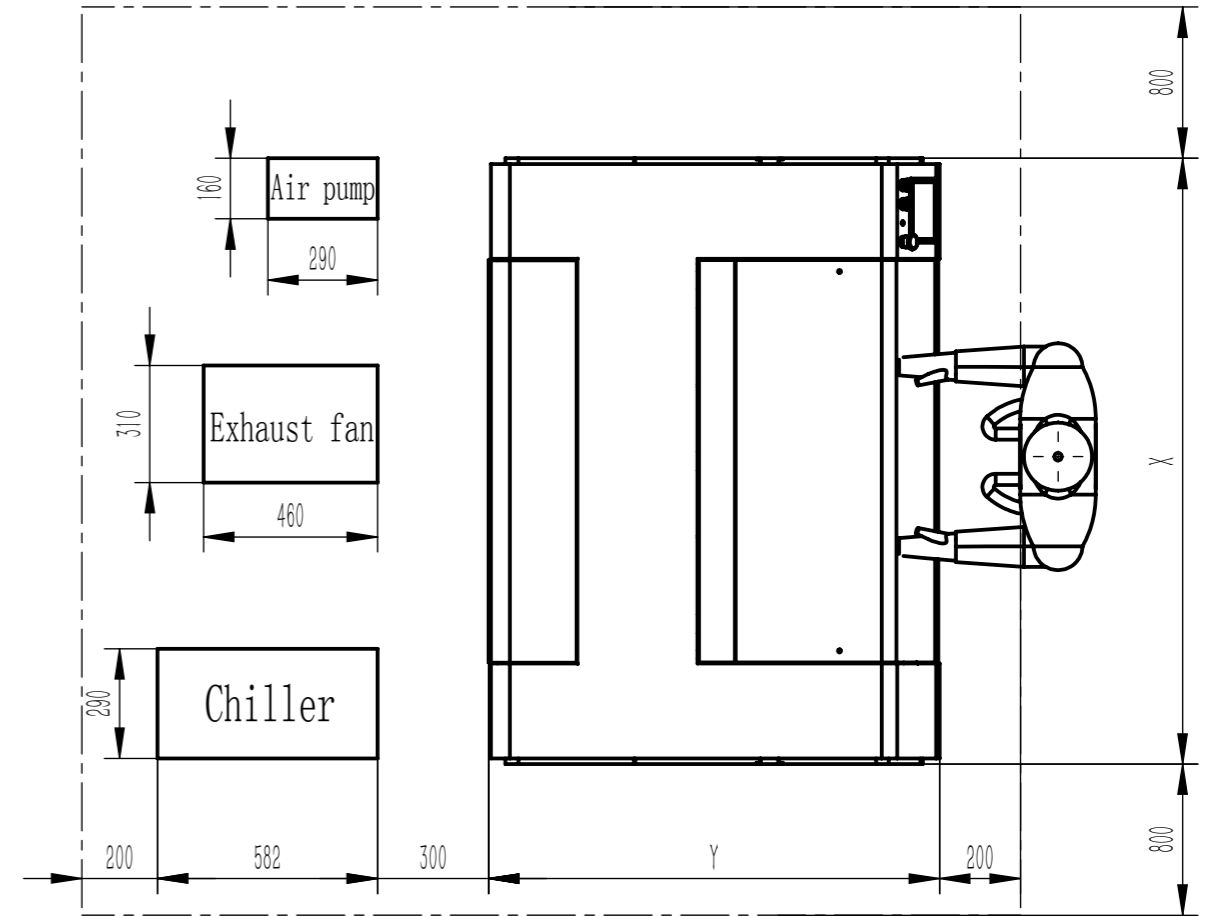
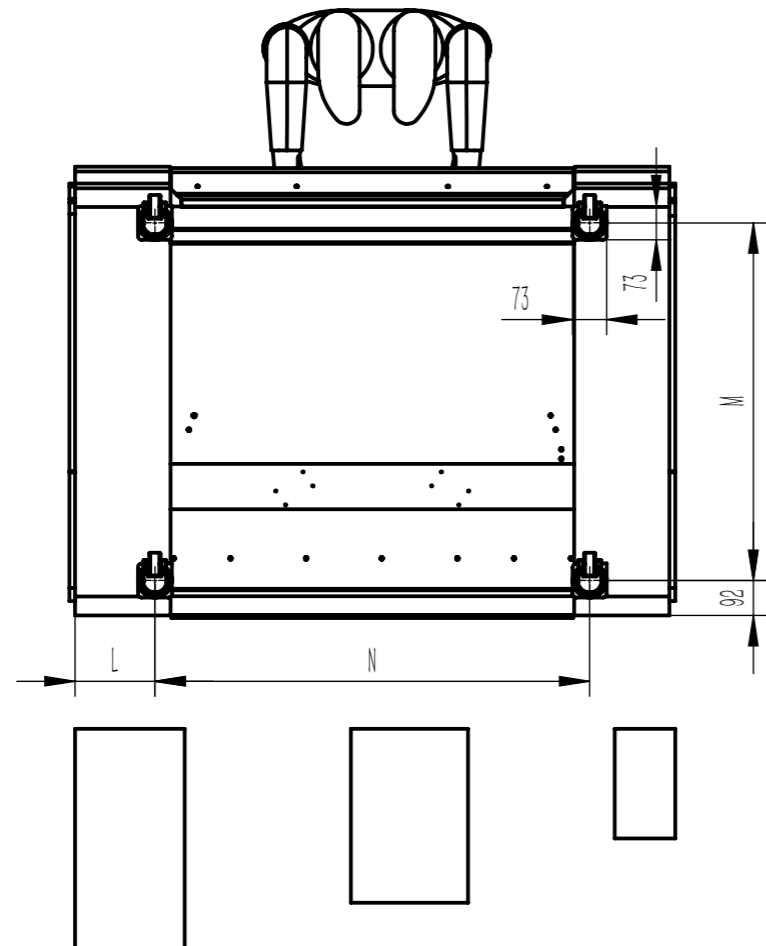


### X-SERIES LASER CUTTING AND ENGRAVING MACHINE LAYOUT



A  
A  
1 : 20



Model	X	Y	M	N	L
BCL1006X	1600	1190	946	1150	211
BCL1309X	1870	1550	1301	1458	192
BCL1610X	2230	1850	1611	1760	192
BCL1812X	2430	1950	1690	2028	158